

Self-priming jet pumps produced in cast iron, suitable for water supply, domestic pressure boosting and small irrigation systems, pool and tank emptying and general clean water pumping.



### SPECIFICATIONS

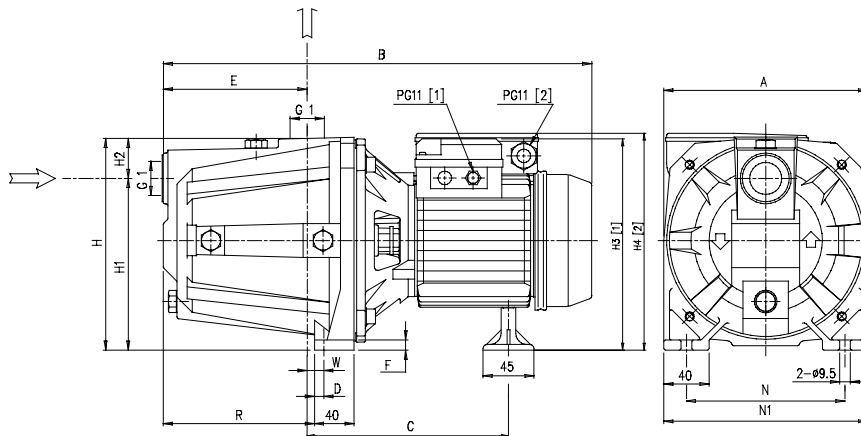
- Maximum working pressure: 6 bar
- Maximum liquid temperature: 35°C according EN 60335-2-41 for domestic uses 45°C for other uses
- Maximum suction: 8 mts

### MATERIALS

- Pump body in cast iron
- Casing cover in AISI 304
- Shaft in AISI 416
- Impeller, nozzle and diffuser in tecnopolymer
- Mechanical seal in carbon/ceramic/NBR

### TECHNICAL DATA

- Asincronous 2 poles motor
- Insulation class F
- Protection degree IP44
- 1~230V ± 10% 50Hz, 3~230/400V ± 10% 50Hz
- Permanent split capacitor and automatic thermal overload protection for single-phase version
- Thermal protection to be provided by the user for three-phase version
- DNA-DNM 1"

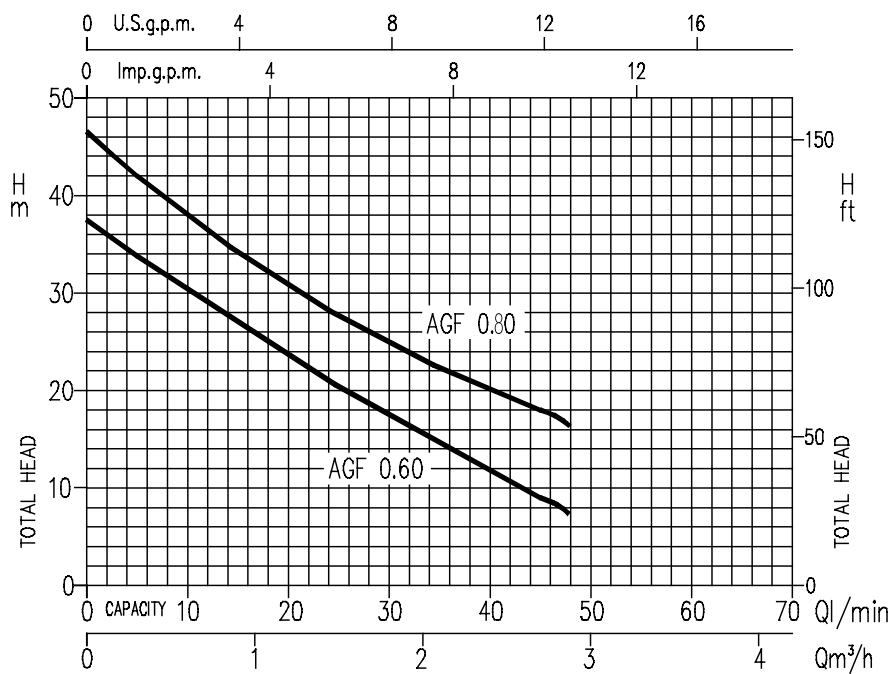
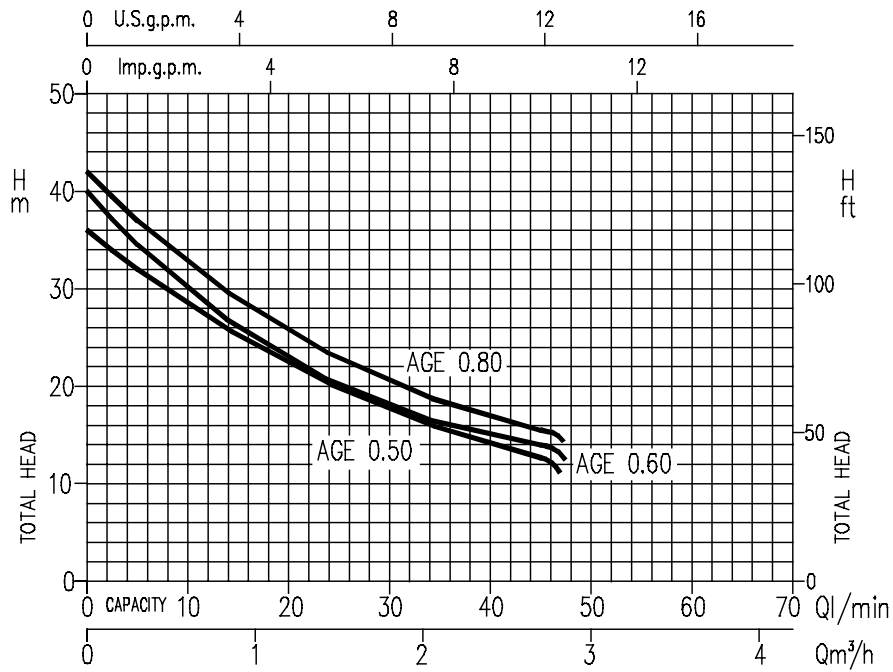


[1] : 3 -  
[2] : 1 -

### DIMENSIONAL TABLE

| Pump type    |             | Dimensions (mm) |     |     |      |      |   |     |     |    |       |     |     |     |     | Weight<br>kg |     |
|--------------|-------------|-----------------|-----|-----|------|------|---|-----|-----|----|-------|-----|-----|-----|-----|--------------|-----|
|              |             | A               | B   | C   | D    | E    | F | H   | H1  | H2 | H3    | H4  | N   | N1  | R   |              | W   |
| Single-phase | Three-phase |                 |     |     |      |      |   |     |     |    | 3~    | 1~  |     |     |     |              |     |
| AGE 0.50 M   | AGE 0.50 T  | 150             | 352 | 193 | 17,3 | 99,5 | 8 | 160 | 122 | 38 | 172,5 | 174 | 110 | 150 | 111 | 24           | 8   |
| AGE 0.60 M   | AGE 0.60 T  | 150             | 352 | 193 | 17,3 | 99,5 | 8 | 160 | 122 | 38 | 172,5 | 174 | 110 | 150 | 111 | 24           | 8,5 |
| AGE 0.80 M   | AGE 0.80 T  | 150             | 352 | 193 | 17,3 | 99,5 | 8 | 160 | 122 | 38 | 172,5 | 174 | 110 | 150 | 111 | 24           | 9   |
| AGF 0.60 M   | AGF 0.60 T  | 180             | 377 | 191 | 10,3 | 127  | 9 | 185 | 152 | 33 | 187,5 | 189 | 140 | 180 | 129 | 12           | 11  |
| AGF 0.80 M   | AGF 0.80 T  | 180             | 377 | 191 | 10,3 | 127  | 9 | 185 | 152 | 33 | 187,5 | 189 | 140 | 180 | 129 | 12           | 12  |

### PERFORMANCE CURVES (according to ISO 9906 grade 2)



### PERFORMANCE TABLE

| Pump type                 |                              | kW   | Capacitor |                | Absorbed Current (A) |            |            | l/min<br>m³/h | Q=Capacity |      |      |      |      |    |
|---------------------------|------------------------------|------|-----------|----------------|----------------------|------------|------------|---------------|------------|------|------|------|------|----|
| Single-phase<br>230V 50Hz | Three-phase<br>230/400V 50Hz |      | µF        | V <sub>c</sub> | 1~                   | 3~<br>230V | 3~<br>400V |               | 5          | 10   | 20   | 30   | 40   | 45 |
|                           |                              |      |           |                |                      |            |            | H=Total head  |            |      |      |      |      |    |
| AGE 0.50 M                | AGE 0.50 T                   | 0,37 | 10        | 450            | 2,4                  | 2          | 1,1        | 32            | 28,4       | 22,4 | 17,6 | 14,1 | 12,7 |    |
| AGE 0.60 M                | AGE 0.60 T                   | 0,45 | 10        | 450            | 2,75                 | 2          | 1,1        | 34,5          | 29,9       | 22,8 | 17,9 | 14,9 | 14   |    |
| AGE 0.80 M                | AGE 0.80 T                   | 0,6  | 10        | 450            | 2,8                  | 2,1        | 1,2        | 37            | 32,7       | 25,6 | 20,5 | 16,8 | 15,5 |    |
| AGF 0.60 M                | AGF 0.60 T                   | 0,45 | 10        | 450            | 3                    | 2,1        | 1,2        | 33,8          | 30,2       | 23,5 | 17,3 | 11,7 | 9    |    |
| AGF 0.80 M                | AGF 0.80 T                   | 0,6  | 12,5      | 450            | 3,7                  | 2,4        | 1,4        | 42            | 37,9       | 30,7 | 24,8 | 20   | 18   |    |