



WCL-1105S

WCL-Series

Large Flow Rate Centrifugal Pump

ปั๊มน้ำหอยโข่ง ชนิดน้ำมาก

SPECIFICATION

MODEL	PHASE	POWER		POLE	VOLTAGE	Hz	AMPERE	FLOW RATE									
		kW	HP					m ³ / h	0	9	18	27	36	42	48	54	66
								l / min.	0	150	300	450	600	700	800	900	1100
WCL-555S	1	0.55	3/4	2	220	50	5.5	TOTAL HEAD (m)	8.3	8.2	7.6	6.4	4.6	3.1	-	-	-
WCL-755S	1	0.75	1	2	220	50	8.3		13	12.7	11.7	9.9	7.5	5.4	3.1	-	-
WCL-1105S	1	1.1	1.5	2	220	50	10.4		14.7	14.6	14.1	12.7	10.6	8.7	6.6	4.2	-
WCL-1505S	1	1.5	2	2	220	50	14.0		16	15.9	15.7	14.8	13.6	12.5	10.8	9.2	5.4

Operating Limits : Suction lift up to 7m , Fluid temperature up to +60°C , Ambient temperature up to +40°C Motor synchronous speed : 3,000 r/min.

APPLICATIONS

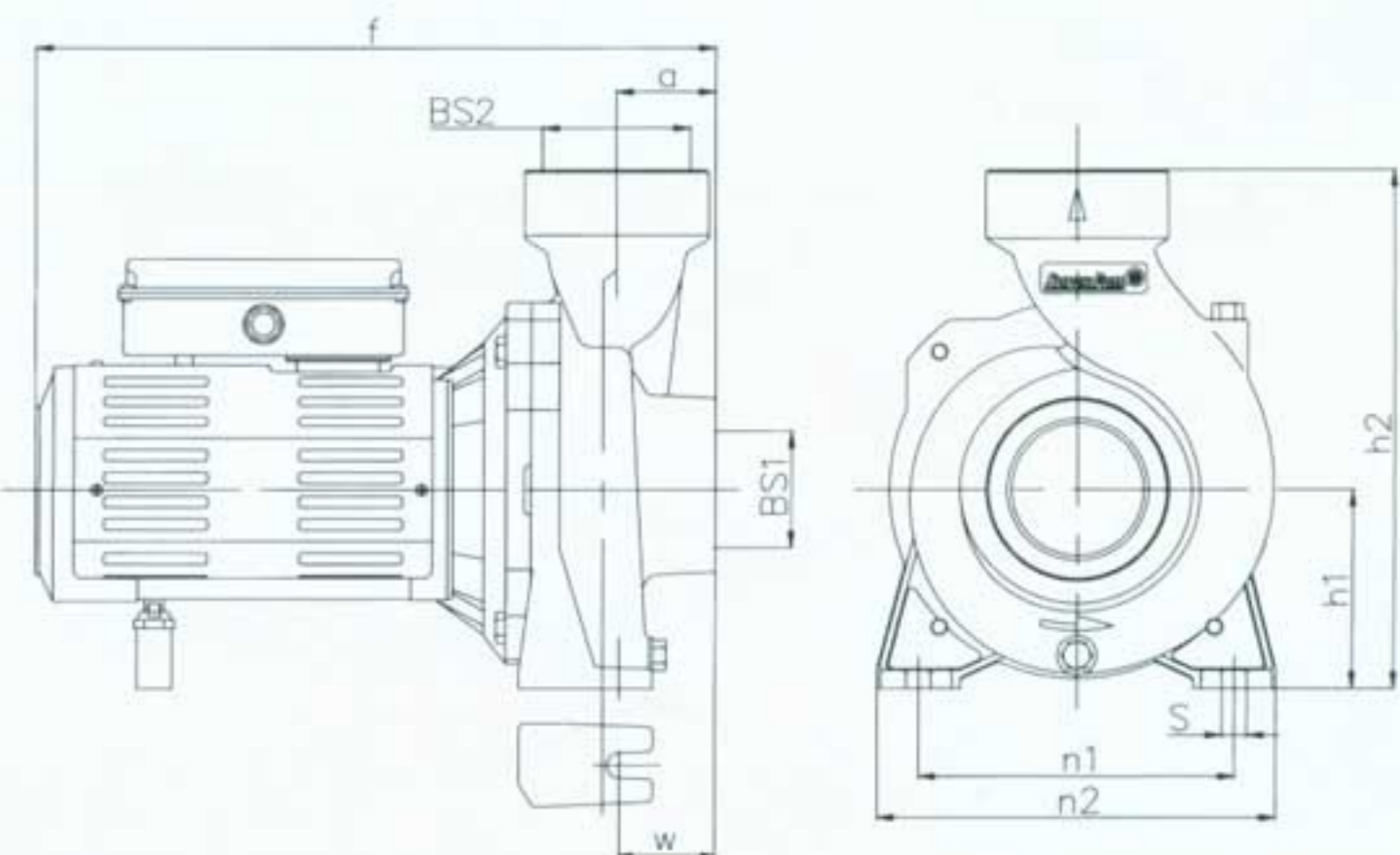
- Household, agricultural, irrigation and industrial water-pumping use.
- Volute & Impeller are designed for pump even fairly dirty water.
- Heavy duty design performs high flow rate even in continuously long-term use.
- IP55 degree of protection provide an advantage on outdoor use.

STRUCTURE CHARACTERISTICS

- Cast iron PUMP BODY with gas-threaded suction & delivery openings drain & fill plugs.
- Steel MOTOR FRAME is coated with epoxy paint to provide rust resistance.
- Stainless steel PUMP COVER is incorporated to reduce friction in pump casing.
- Stainless steel IMPELLER, centrifugal radial flow type.
- Stainless steel MOTOR SHAFT.
- Ceramic and graphite MECHANICAL SEAL.
- Pumps are directly coupled with the best proper **MITSUBISHI** induction motors which reach high efficiency and reliability.
- Thermal protector** is incorporated in motor. (except WCL-1505S model)
- IP55 degree of protection.
- Class F motor insulation.

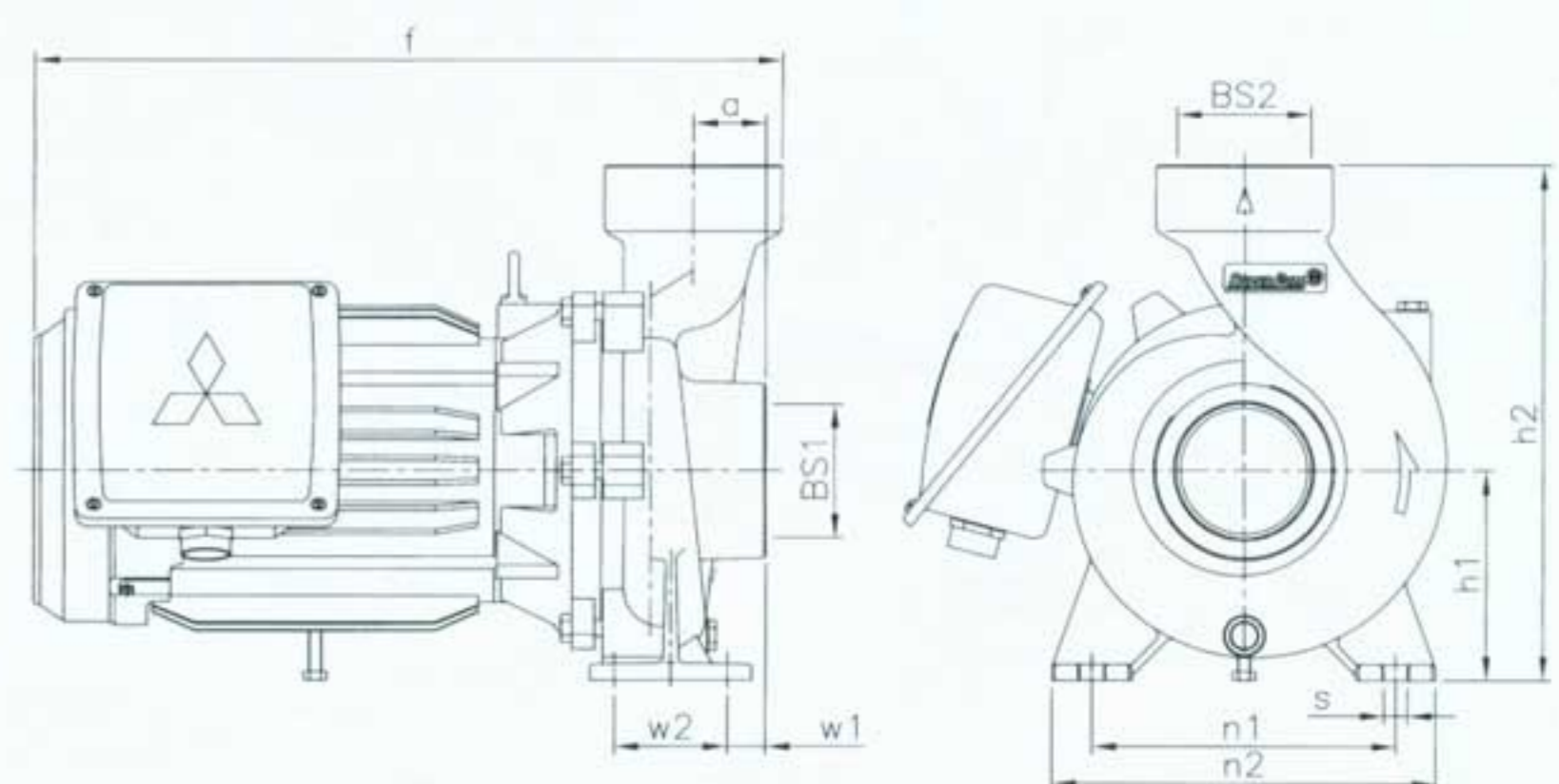
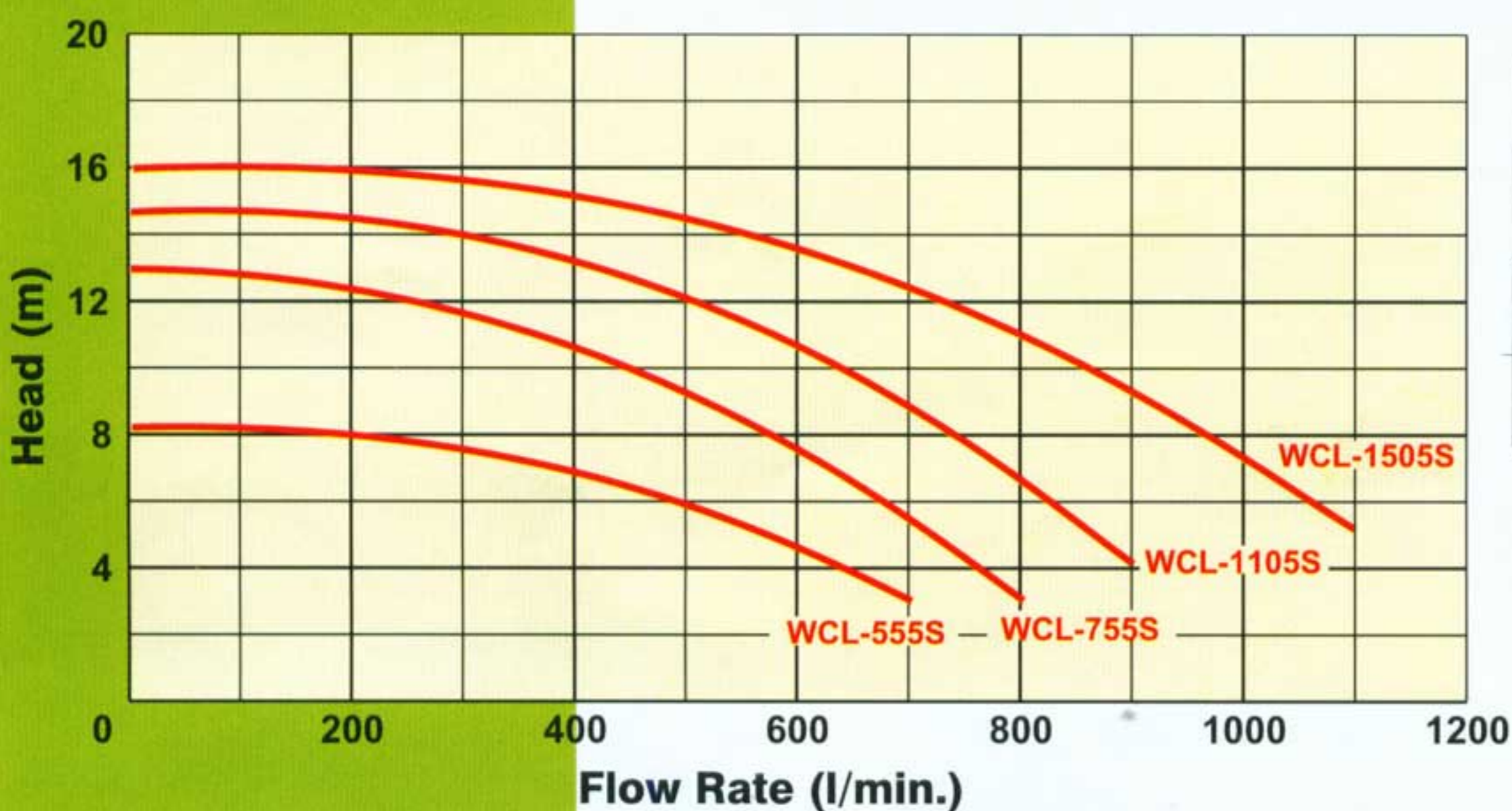
OUTLINE DIMENSION

MODEL	BORE SIZE		DIMENSIONS (mm)									WEIGHT (kg)
	1 PHASE	BS1	BS2	a	f	h1	h2	n1	n2	w1	w2	
WCL-555S	2 1/2"	2 1/2"	44	337	112	252	140	190	58.5	-	15	16.5
WCL-755S	2 1/2"	2 1/2"	44	359.5	132	324	190	240	47	-	15	21.5
WCL-1105S	3"	3"	44	404	132	324	190	240	47	-	15	25.5
WCL-1505S	3"	3"	45	460.5	132	324	190	240	23.5	70	15	46



WCL-555S, WCL-755S, WCL-1105S

PERFORMANCE CURVES



WCL-1505S