



WCH-555S

WCH-Series

High Head Centrifugal Pump

ปั๊มน้ำหัวสูง ชนิดแรงดันสูง

SPECIFICATION

MODEL	PHASE	POWER		POLE	VOLTAGE	Hz	AMPERE	FLOW RATE								
		kW	HP					m ³ / h	0	1.2	2.4	3.6	4.8	6	6.6	8.4
									l / min.	0	20	40	60	80	100	110
WCH-375S	1	0.37	1/2	2	220	50	3.1	TOTAL HEAD (m)	23.8	22.5	20.5	16.3	11	4	-	-
WCH-555S	1	0.55	3/4	2	220	50	4.8		28.5	28	26	22	16.5	9	-	-
WCH-755S	1	0.75	1	2	220	50	7.0		38	36.7	34	30.5	25.3	19	15.4	-
WCH-1105S	1	1.1	1.5	2	220	50	9.1		40	39.8	38.8	36.3	32.5	27.5	24.3	13
WCH-1505S	1	1.5	2	2	220	50	14.0		48.3	47.8	46.6	44.8	42.2	38.8	37	30

Operating Limits : Suction lift up to 7m , Fluid temperature up to +60°C , Ambient temperature up to +40°C Motor synchronous speed : 3,000 r/min.

APPLICATIONS

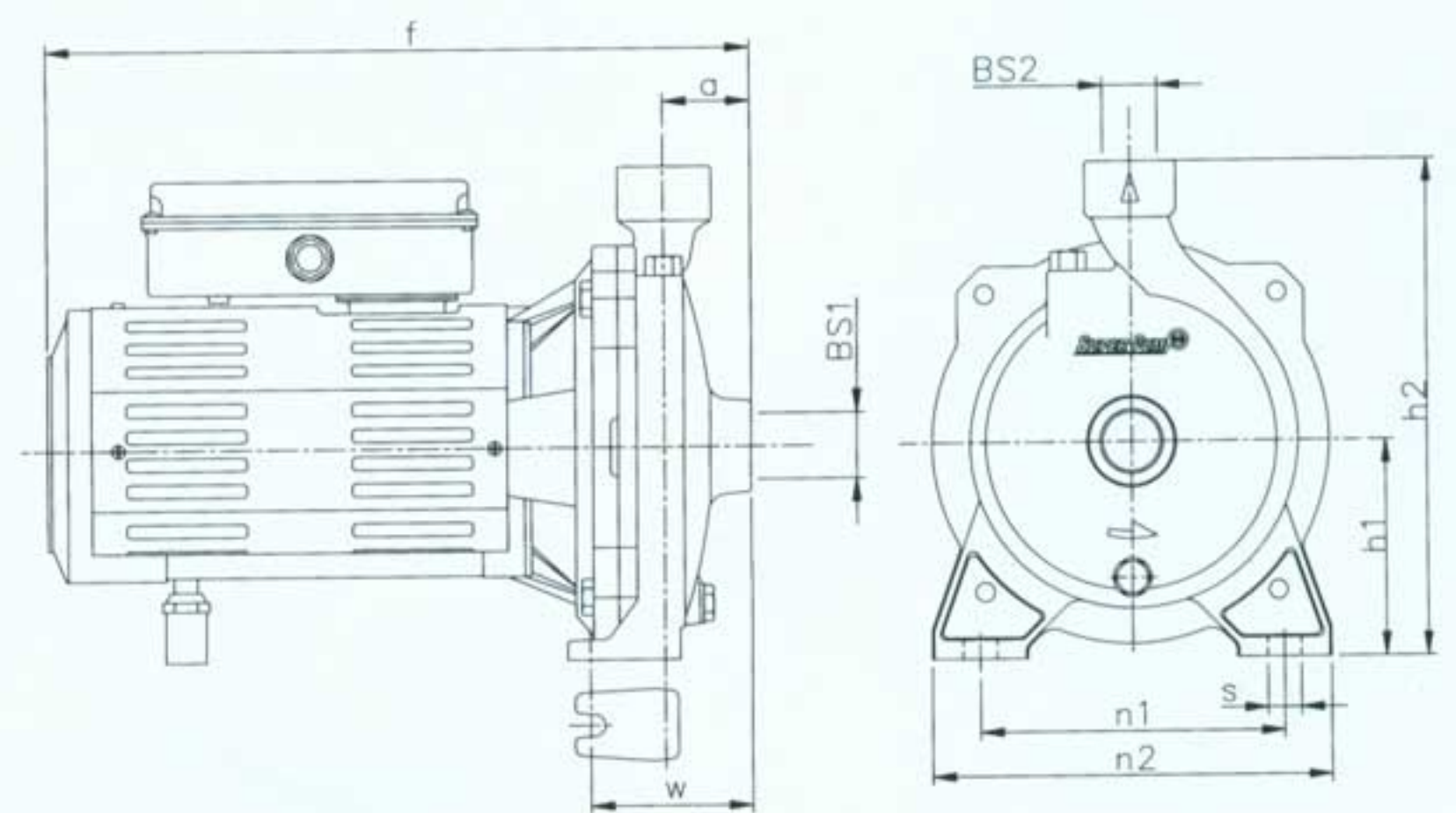
- Distribute water from surge tank and household & civil application water-pumping use.
- Design for clean water and non-aggressive chemical liquids.
- Simple to use, quiet and virtually maintenance.
- IP55 degree of protection provide an advantage on outdoor use.

STRUCTURE CHARACTERISTICS

- Cast iron PUMP BODY with gas-threaded suction & delivery openings drain & fill plugs.
- Steel MOTOR FRAME use epoxy painting to provide rust resistance.
- Stainless steel or cast iron PUMP COVER incorporated in motor bracket.
- Stainless steel IMPELLER, centrifugal radial flow type.
- Stainless steel MOTOR SHAFT.
- Ceramic and graphite MECHANICAL SEAL.
- Pumps are directly coupled with the best proper **MITSUBISHI** induction motors which reach high efficiency and reliability.
- **Thermal protector** is incorporated in motor. (except WCH-1505S model)
- IP55 degree of protection.
- Class F motor insulation.

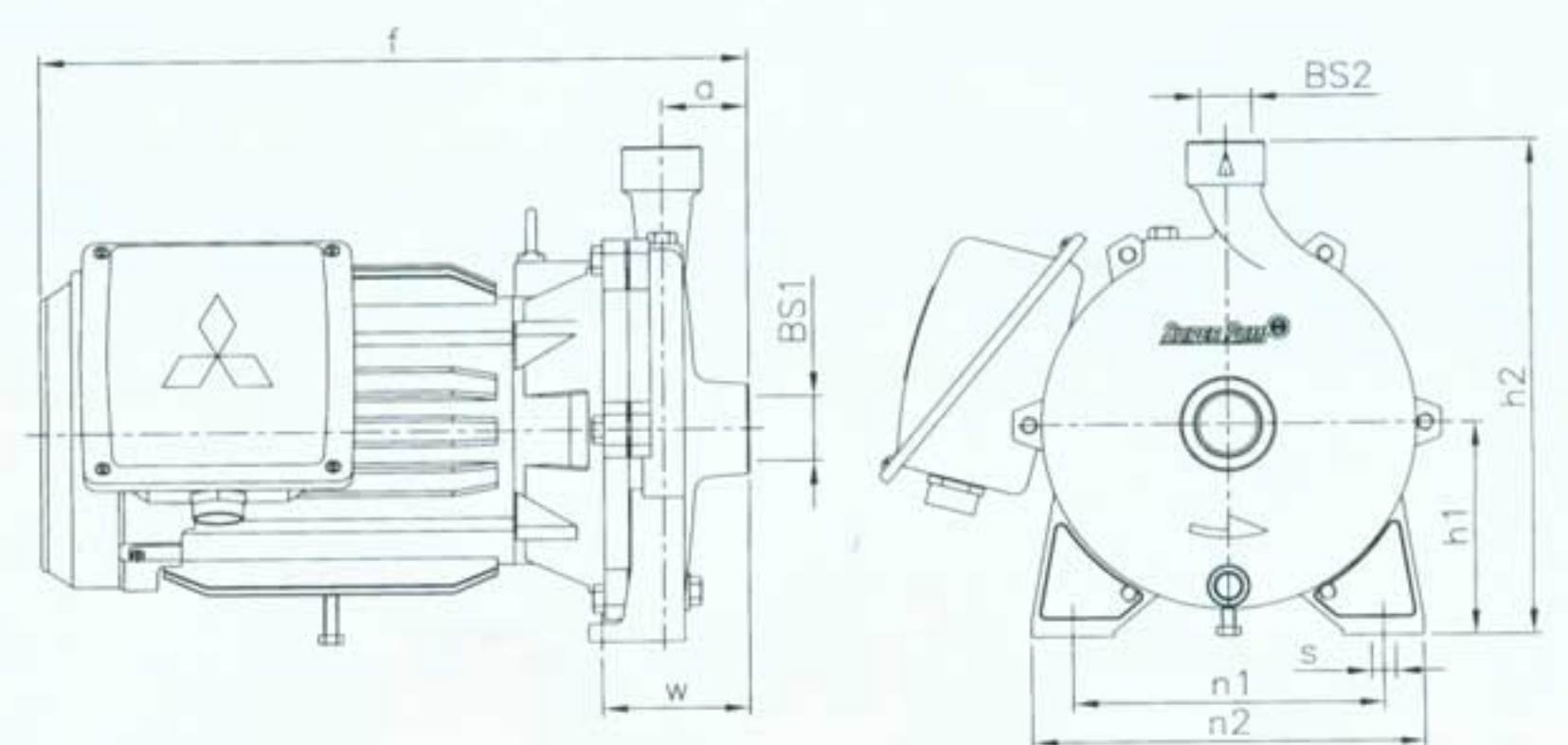
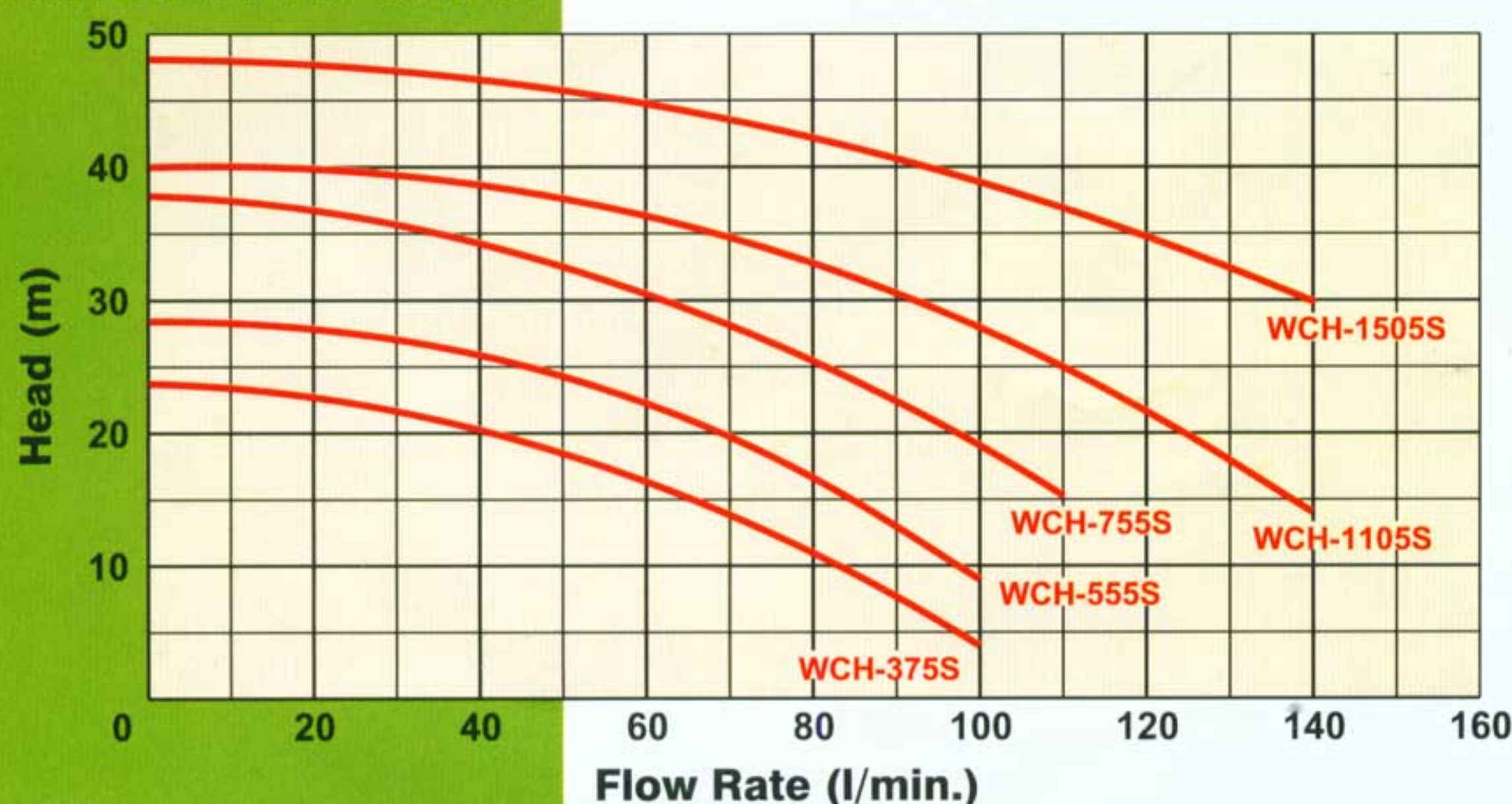
OUTLINE DIMENSION

MODEL	BORE SIZE		DIMENSIONS (mm)								WEIGHT (kg)
	BS1	BS2	a	f	h1	h2	n1	n2	w	s	
WCH-375S	1"	1"	42	266	85	214	135	165	83	10	9.5
WCH-555S	1"	1"	44	305.8	112	257	160	210	94	15	14
WCH-755S	1"	1"	44	327.3	112	262	160	210	94	15	17
WCH-1105S	1 1/4"	1"	51.5	366.3	132	307	190	240	101.5	15	21
WCH-1505S	1 1/4"	1"	51.5	424.8	132	307	190	240	89	15	39.5



WCH-375S, WCH-555S, WCH-755S, WCH-1105S

PERFORMANCE CURVES



WCH-1505S